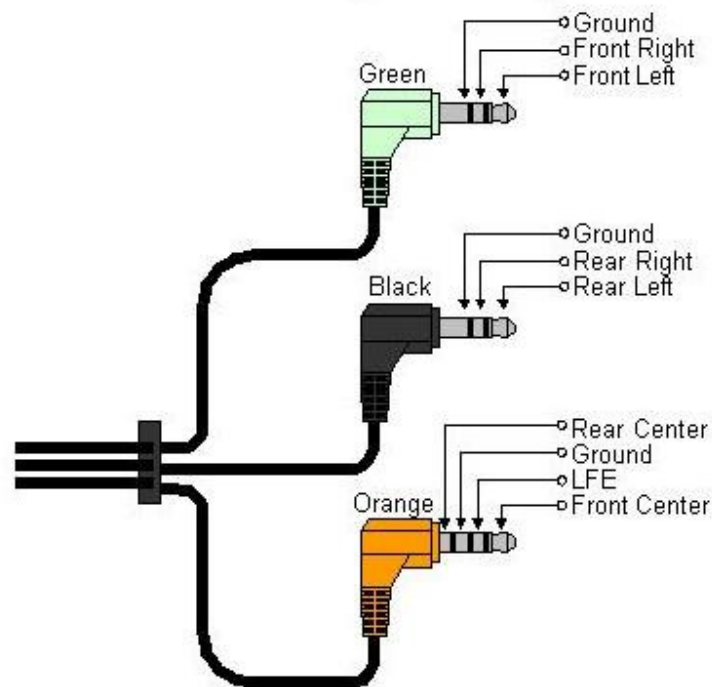


Why can't I get sound from all speakers when I connect my 6.1 / 7.1 system to a Hercules soundcard?

Some 6.1/ 7.1 sound systems from Logitech and Creative are using a non-standard 4 point connector (Orange), which is used to transmit the signal to the subwoofer, Rear and Front center speaker. This type of connection scheme is used only by Creative soundcards.



When using a soundcard with standard type connection scheme (such as Hercules soundcards), proceed as follow:

- From your soundcard control panel, select **5.1** or **6 Speakers** as output type
- Connect speaker system to your soundcard following the standard color scheme
- Move the speaker selector switch on the rear of the satellite speaker with the controls on it to **5.1**. Setting the system to **5.1** will now allow you to hear sounds from all speakers. Consult the user manual of your system for more details.