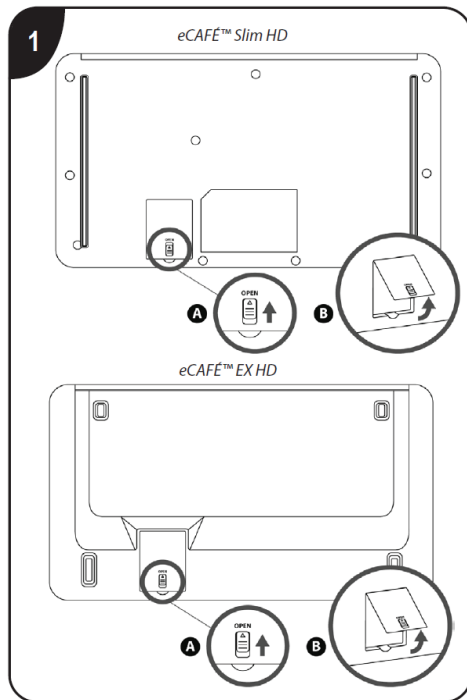


My eCAFÉ only starts up when plugged into an electrical outlet

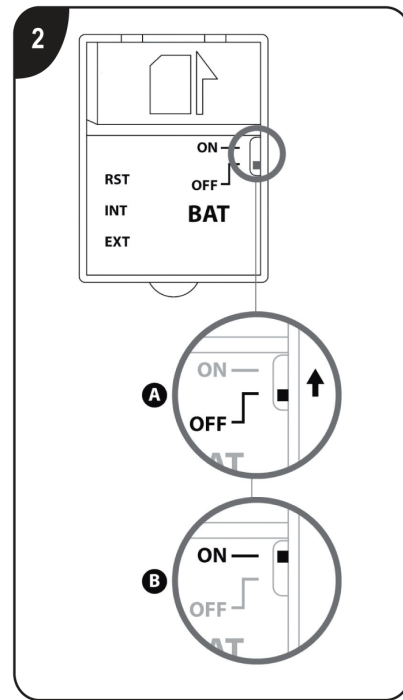
My eCAFÉ only works when the power cord is plugged into an electrical outlet.

Solution

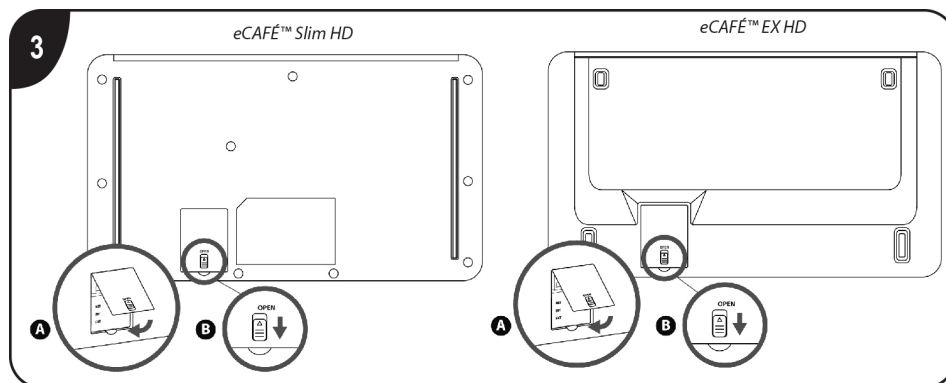
Set the battery switch to the “ON” position:



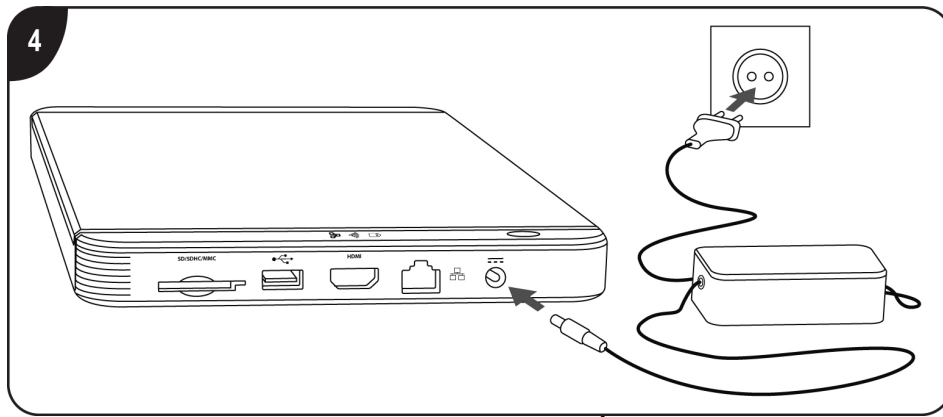
1. Open the cover plate located under the computer, as shown above.



2. Set the battery switch (BAT) to “ON”.



3. Close the cover plate.



4. Connect the power adapter cord to your eCAFÉ™, then plug the adapter into an electrical outlet.